

BRINNIER and LARIOS, P.C.
PROFESSIONAL ENGINEERS & LAND SURVEYORS
67 MAIDEN LANE
KINGSTON, NEW YORK 12401
-
TELEPHONE (845) 338-7622
FAX (845) 338-7660

DESIGN
REPORTS
SUPERVISION
CONSULTING SERVICES

SUBDIVISIONS
TITLE SURVEYS
TOPOGRAPHIC SURVEYS

ADDENDUM NO. 4

CONTRACT NO. VSA-173

WATER SUPPLY PROTECTION: PRE-FILTER PROJECT

NY RISING COMMUNITY RECONSTRUCTION PROGRAM

NEW YORK STATE GOVERNOR'S OFFICE OF STORM RECOVERY

VILLAGE OF SAUGERTIES, ULSTER COUNTY, NEW YORK

October 4, 2018



SPECIFICATIONS:

EJCDC C-410 Page 1 of 9

BID FORM - GENERAL & ELECTRICAL CONSTRUCTION -
ARTICLE 6 - TIME OF COMPLETION - Subsection 6.01 **Delete**
in its entirety and **replace** with the following:

6.01 Bidder agrees that the Work will be substantially complete within **360** calendar days after the date when the Contract Times commence to run as provided in Paragraph 4.01 of the General Conditions, and will be completed and ready for final payment in accordance with Paragraph 15.06 of the General Conditions within **420** calendar days after the date when the Contract Times commence to run.

NOTE: CHANGE OF TIMES OF COMPLETION.

EJCDC C-520 Page 1 of 7

AGREEMENT - ARTICLE 4 - CONTRACT TIMES -
Subsection 4.02 *Contract Times: Days A.* **Delete** in its entirety
and replace with the following:

A. Bidder agrees that the Work will be substantially complete within **360** calendar days after the date when the Contract Times commence to run as provided in Paragraph 4.01 of the General Conditions, and will be completed and ready for final payment in accordance with Paragraph 15.06 of the General Conditions within **420** calendar days after the date when the Contract Times commence to run.

Page 02750-6

SECTION 02750 – PIPING, VALVES AND ACCESSORIES (ABOVEGROUND) – 2.09 ACCESSORIES – Subsection D.
Delete in its entirety and **replace** with the following:

D.1. Static mixer shall be 8” diameter, Schedule 10S, stainless steel 304L body with stainless steel 304L blade-style mixing elements. End connections shall be 304L stainless steel flat face slip on flanges. Static mixer shall be by Koflo Corporation, Model No. 8-10S-2-3-150F, or equal.

DRAWINGS:

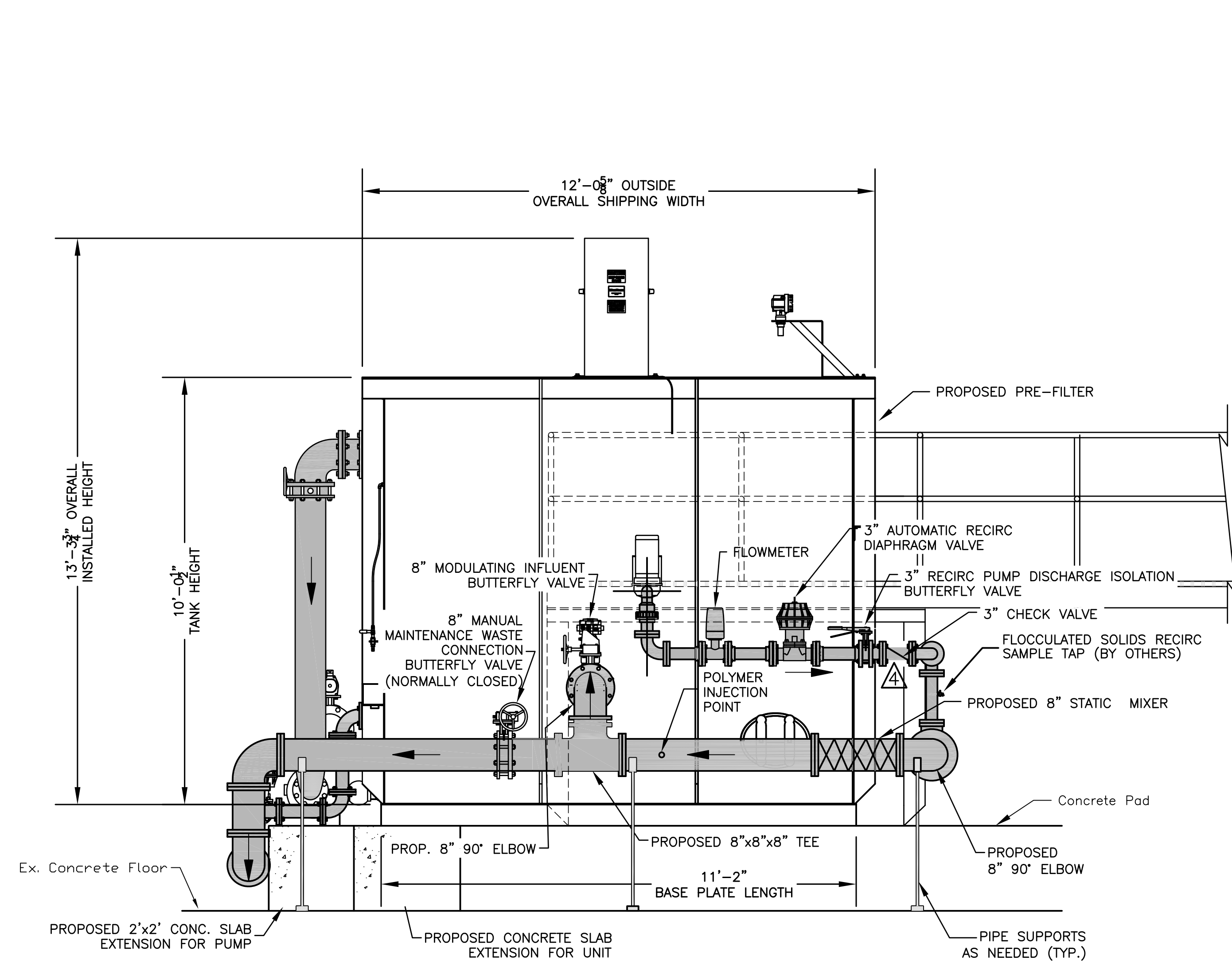
Sheet 4

Delete Sheet 4 in its entirety and **replace** with attached Revised Sheet 4. **NOTE** – Added labels, miscellaneous corrections.

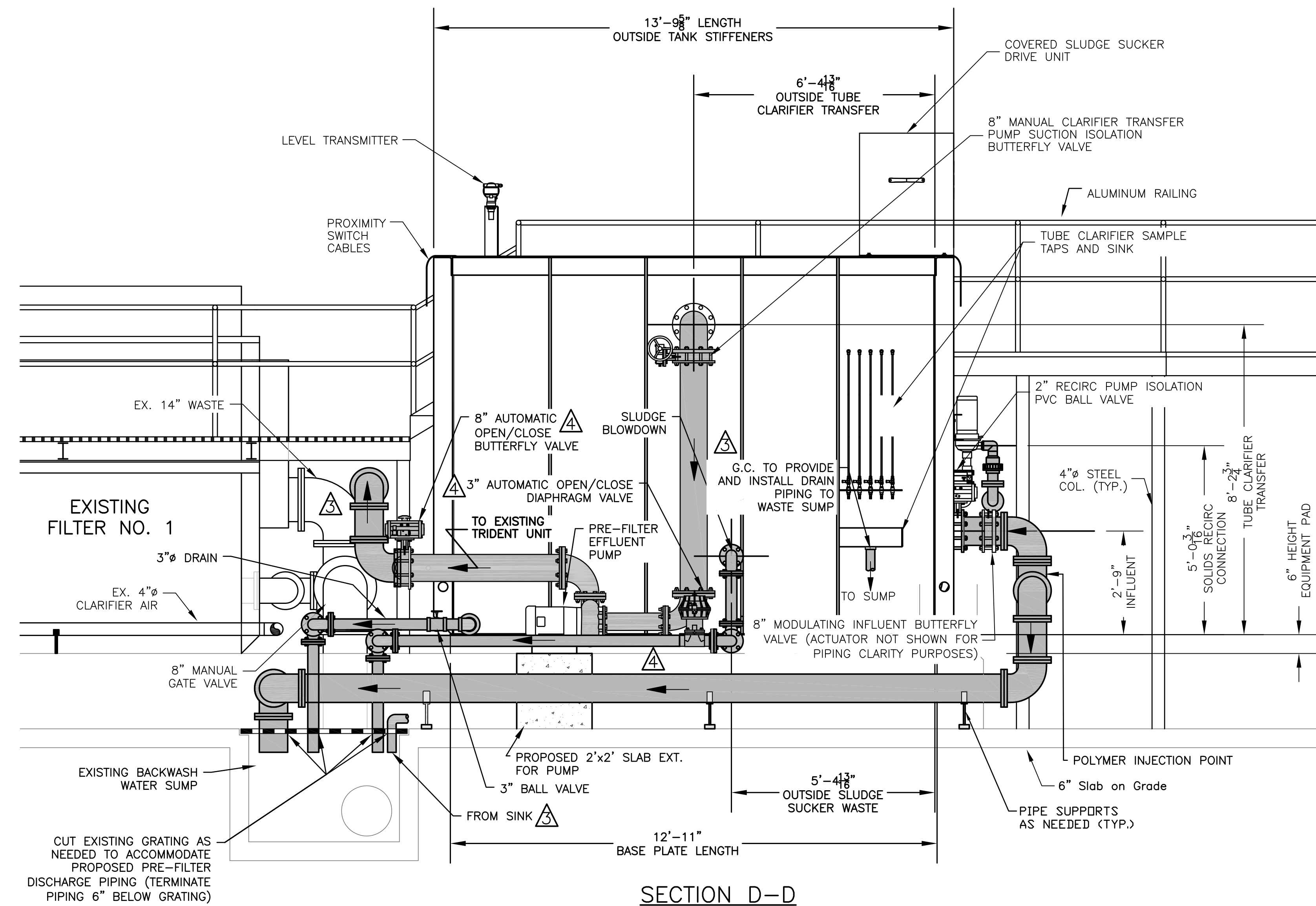
Sheet 6

Delete Sheet 6 in its entirety and **replace** with attached Revised Sheet 6. **NOTE** – Added automatic open/close butterfly valve on discharge line of pre-filter tube settler clarifier.

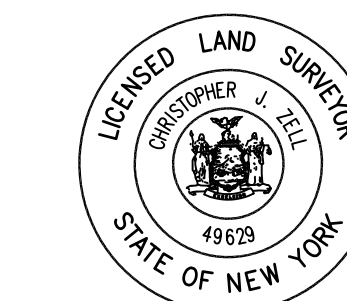
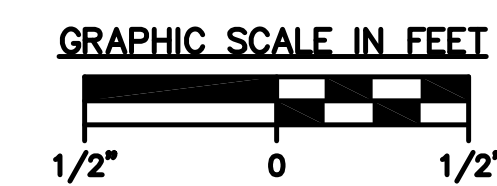
END OF ADDENDUM NO. 4
[EXCEPT FOR ATTACHED REVISED SHEET 4 AND SHEET 6]



SECTION C-C
SCALE: 1/2" = 1'



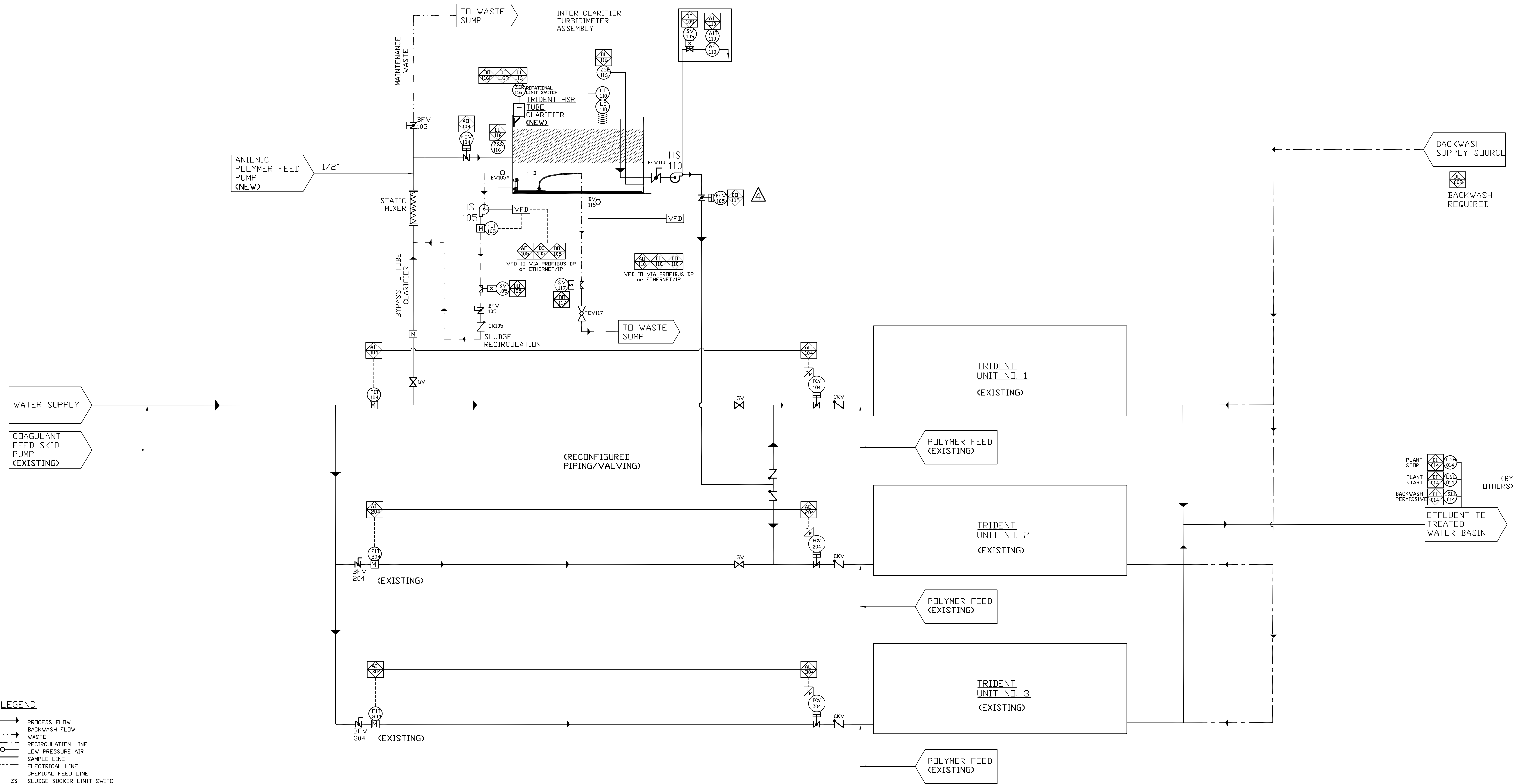
SECTION D-D
SCALE: 1/2" = 1'



Unauthorized alteration or addition to a plan bearing a licensed engineer's seal is a violation of section 7209, subdivision 2, of the New York State Education Law.

SECTIONS
CONTRACT NO. VSA-173

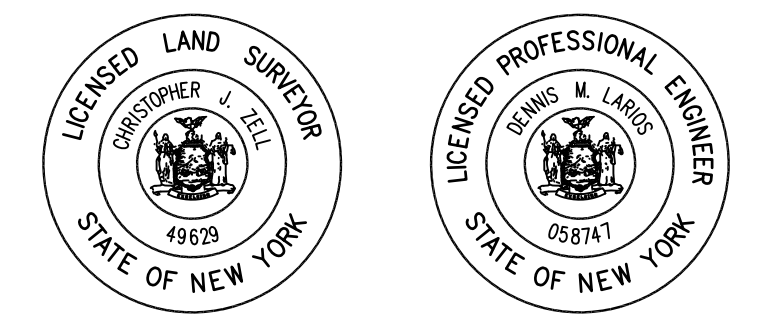
WATER SUPPLY PROTECTION: PRE-FILTER PROJECT		
NY RISING COMMUNITY RECONSTRUCTION PROGRAM		
NEW YORK STATE GOVERNOR'S OFFICE OF STORM RECOVERY		
VILLAGE OF SAUGERTIES		ULSTER COUNTY
		NEW YORK
DATE	REVISION RECORD	BRINNIER & LARIOS, P.C. ENGINEERS & LAND SURVEYORS 67 MAIDEN LANE KINGSTON, N.Y. Phone: 845-338-7622 Fax: 845-338-7660
5/18	SECTION LABELS, VALVES	
7/18	UCDOH COMMENTS	
9/18	ADDENDUM NO.3	
10/18	ADDENDUM NO.4	
SCALE	DATE	SHEET NO.
AS SHOWN	JUNE 2017	4 OF 6
DWG. RJS	CHK JDD	



- LEGEND**
- PROCESS FLOW
 - ← BACKWASH FLOW
 - WASTE
 - - - - RECIRCULATION LINE
 - LOW PRESSURE AIR
 - SAMPLE LINE
 - ELECTRICAL LINE
 - CHEMICAL FEED LINE
 - ZS — SLUDGE SUCKER LIMIT SWITCH
 - PRV — PRESSURE RELIEF VALVE
 - BFV — BUTTERFLY VALVE
 - CV — CONTROL VALVE
 - CKV — CHECK VALVE
 - FCV — FLOW CONTROL VALVE
 - PI — PRESSURE INDICATOR
 - ARV — AIR RELEASE VALVE (BY CUSTOMER)
 - PS — PRESSURE SWITCH
 - LT — LEVEL TRANSMITTER
 - LS — LEVEL SWITCH
 - POS — VALVE POSITIONER
 - SS — SURFACE SCATTER
 - SV — SOLENOID VALVE
 - BV — BALL VALVE
 - TP — TRANSFER PUMP
 - RP — RECIRCULATION PUMP
 - AE — ANALYZER ELEMENT
 - AIT — ANALYZER, INDICATING TRANSMITTER
 - FE — FLOW ELEMENT
 - FIT — FLOW INDICATING TRANSMITTER
 - — FIELD MOUNTED

NOTES:
 1.) BASE DRAWING BY WESTECH. -REVISED BY ENGINEER

**PROCESS AND INSTRUMENT DIAGRAM
 CONTRACT NO. VSA-173**



Unauthorized alteration or addition to a plan bearing a licensed engineer's seal is a violation of section 7209, subdivision 2, of the New York State Education Law.

WATER SUPPLY PROTECTION: PRE-FILTER PROJECT		NY RISING COMMUNITY RECONSTRUCTION PROGRAM	
NEW YORK STATE GOVERNOR'S OFFICE OF STORM RECOVERY			
VILLAGE OF SAUGERTIES		ULSTER COUNTY NEW YORK	
DATE	REVISION RECORD	BRINNIER & LARIOS, P.C.	
5/18	VALVES	ENGINEERS & LAND SURVEYORS	
7/18	UCDOH COMMENTS	67 MAIDEN LANE KINGSTON, N.Y.	
10/18	ADDENDUM NO.4	Phone: 845-338-7622 Fax: 845-338-7660	
SCALE	DATE	DATE	SHEET NO.
AS SHOWN	JUNE 2017	JUNE 2017	6 OF 6
	DWG	CHK	
	RJS	JDD	